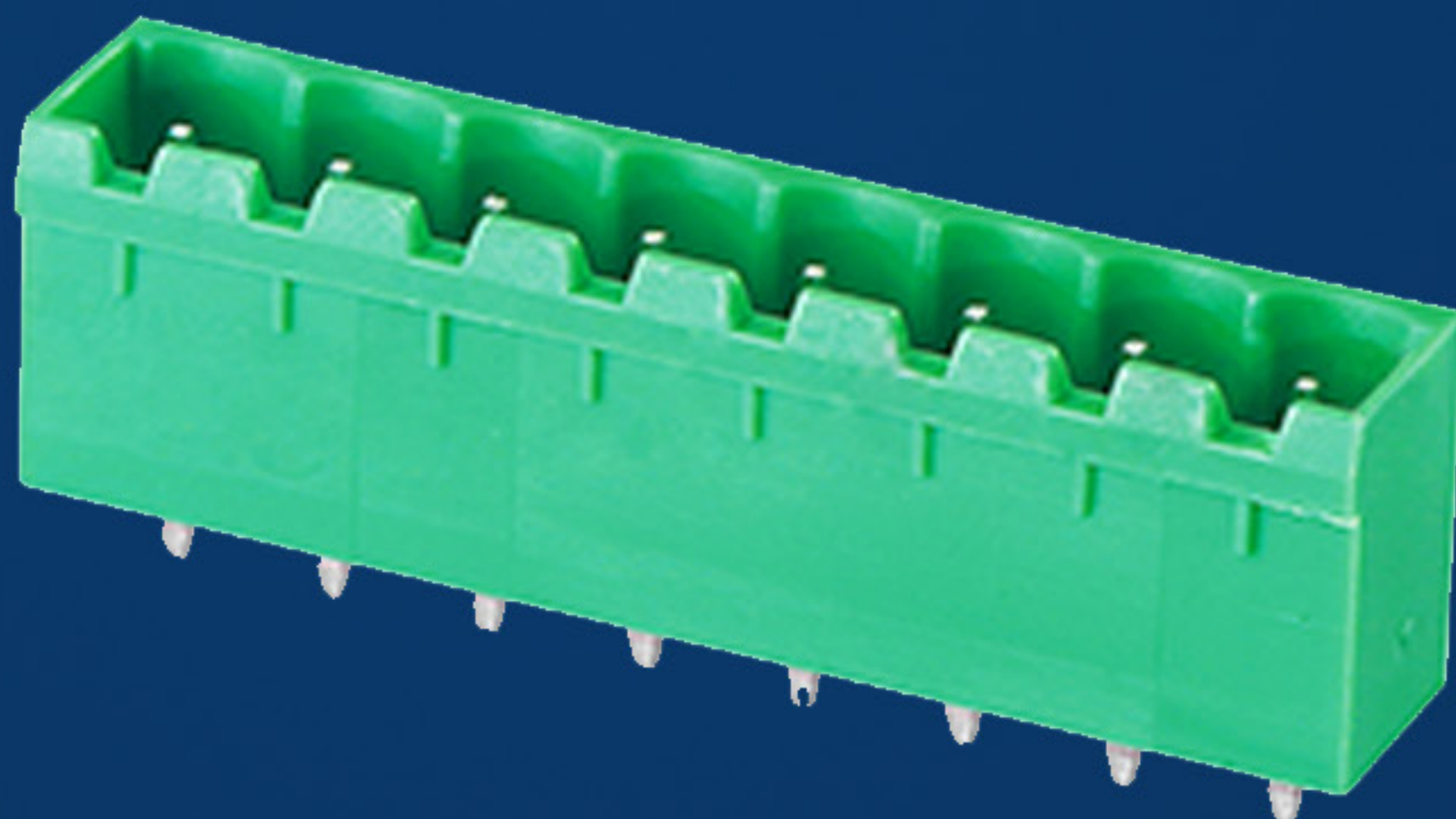
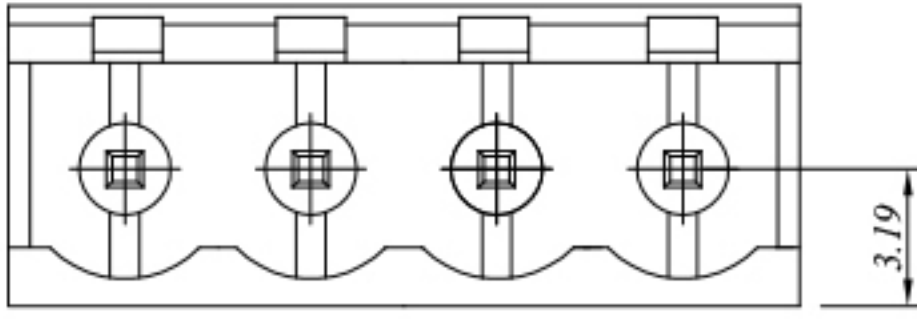


CATÁLOGO DE PRODUTOS RSE

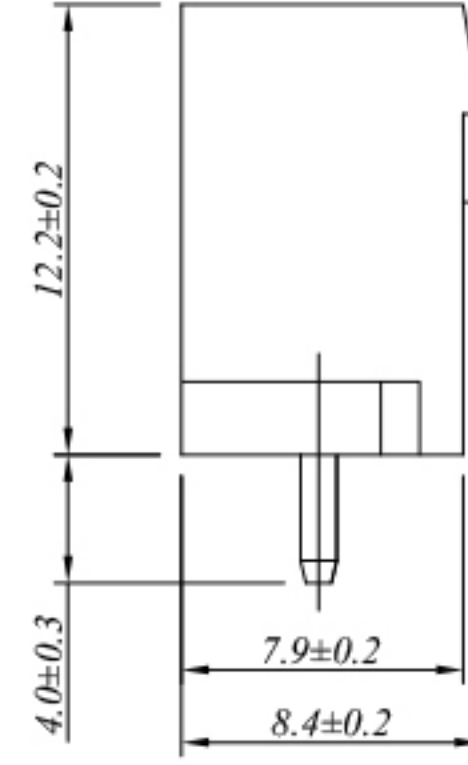
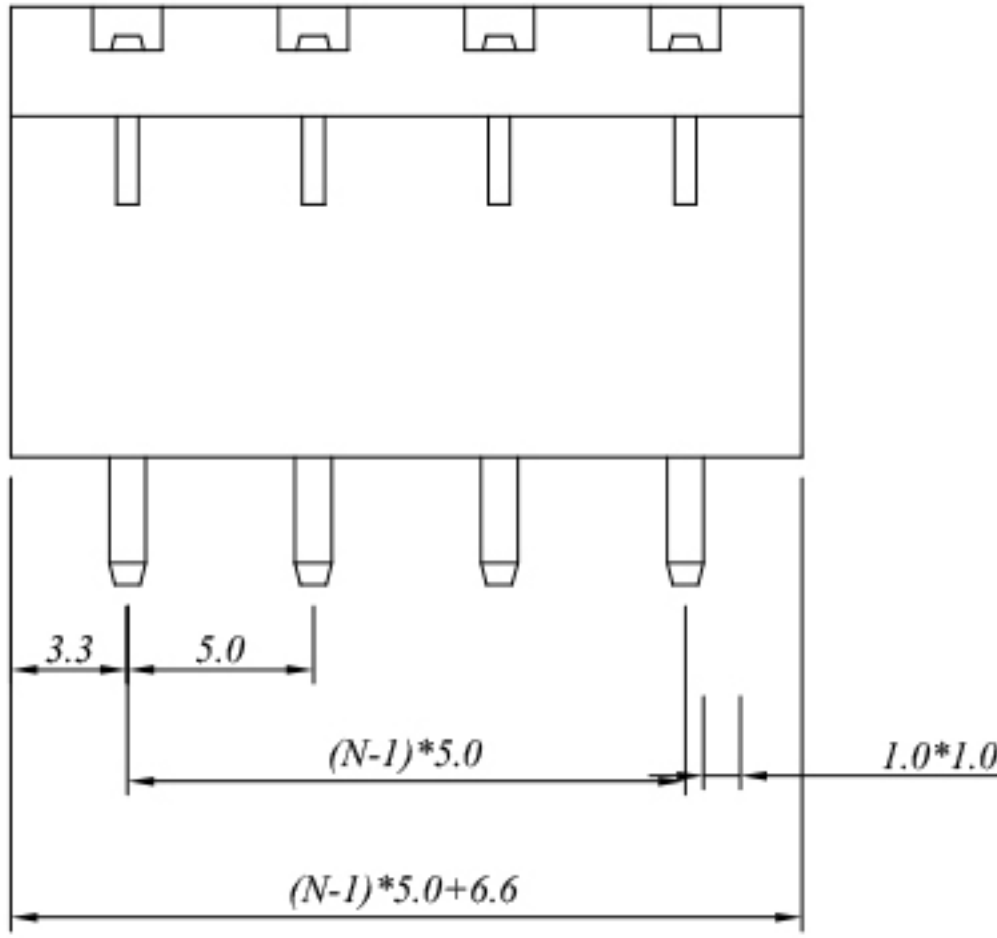
PRODUTO: **2EDGVC-5.0/5.08**



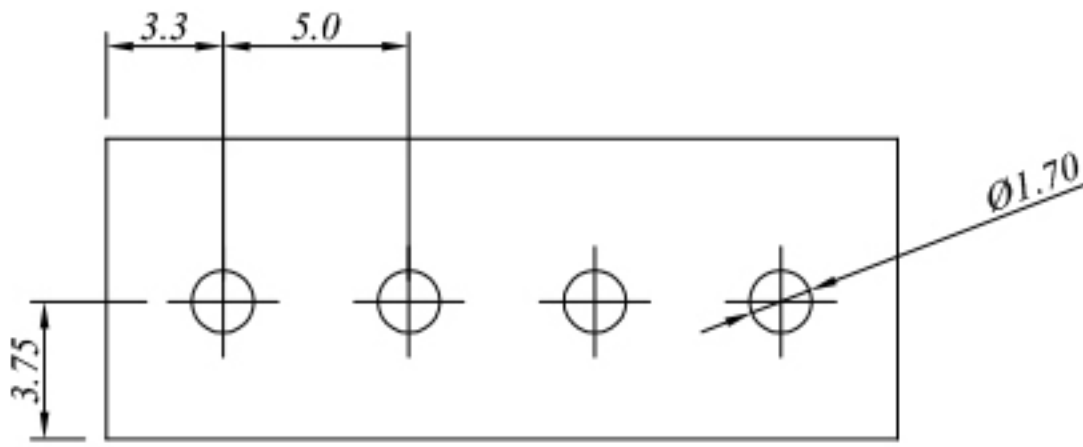
RSE
Automação e Componentes Eletrônicos



P.C.B. LAYOUT



$N = \text{Number of contacts}$



Material

Insulator body:

PA66, UL94V-0

Pin header:

Brass, Tin planted

Electrical

Standard:

UL IEC

Rated voltage:

300V 450V

Rated current:

15A 20A

Contact resistance:

20m Ω (max)

Insulation resistance:

500M Ω /500V

Withstanding voltage:

AC 2000V/1Min

Mechanical

Temperature range:

-40°C to +105°C

Max soldering:

+250°C, for 5 Sec

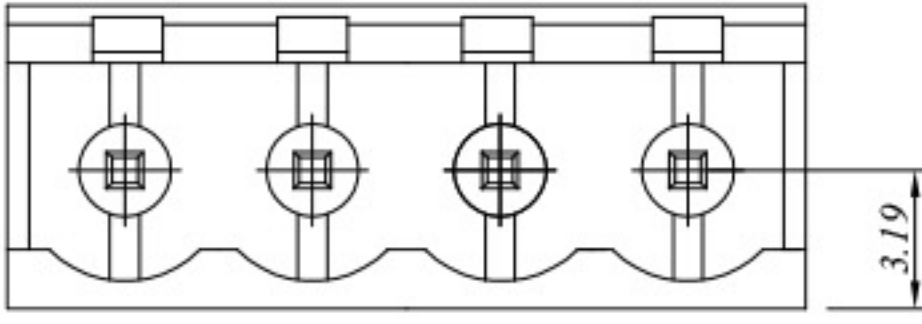
Dimensions

Pitch:

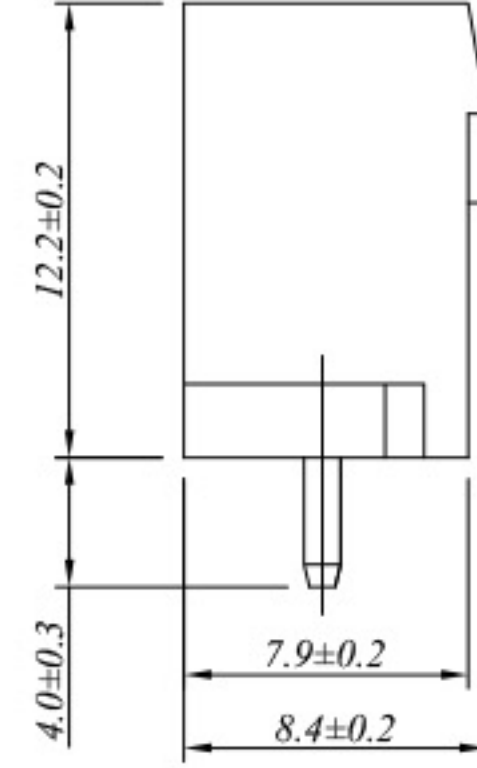
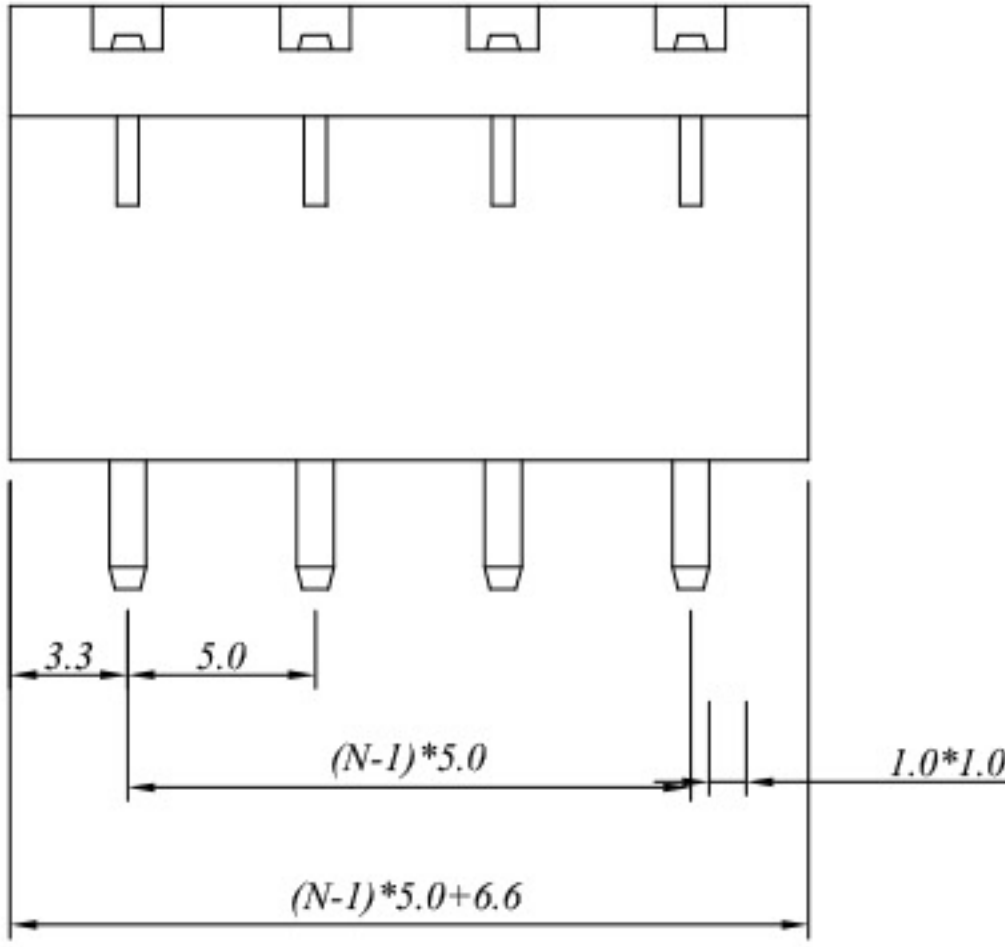
5.0mm

Poles:

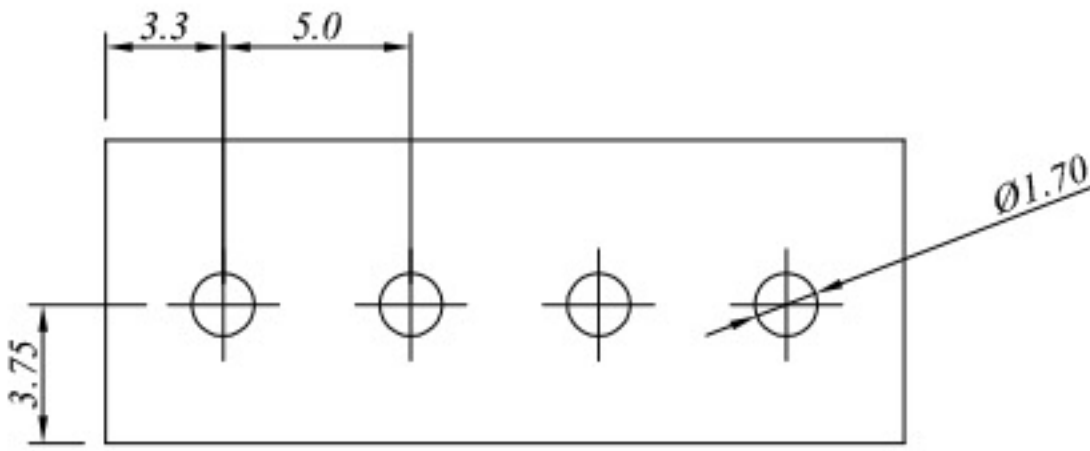
2-24P



P.C.B. LAYOUT



N =Number of contacts



Material

Insulator body:
Pin header:

PA66, UL94V-0
Brass ,Tin planted

Electrical

Standard:	UL	IEC
Rated voltage:	300V	450V
Rated current:	15A	20A
Contact resistance:	20m Ω (max)	
Insulation resistance:	500M Ω /500V	
Withstanding voltage:	AC 2000V/1Min	

Mechanical

Temperature range: -40°C to +105°C
Max soldering: +250°C, for 5 Sec

Dimensions

Pitch: 5.0mm
Poles: 2-24P